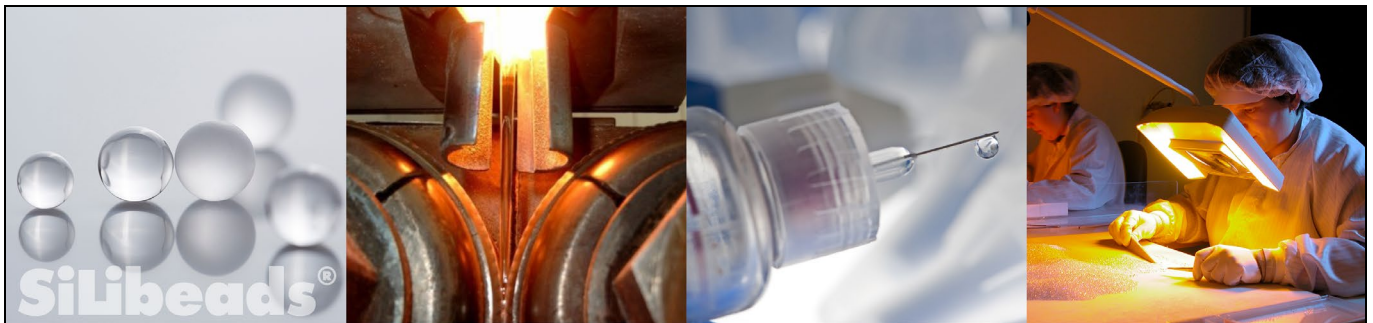




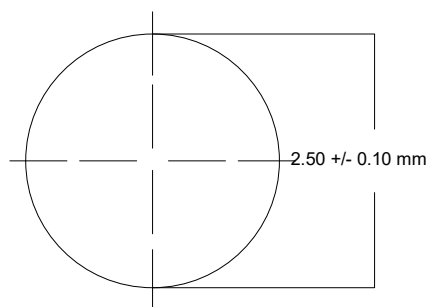
**SiLibeads® Type P PHARMA**

Version: 2019-12-12 V13

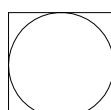


**Chemical/Technical Parameter**

<b>Article:</b>	Glass Beads Borosilicate Type I Glass 2.50 mm +/- 0.10 mm polished Article No. 55-02500-88	
<b>Type of glass beads and applied regulations:</b>	Glass Beads are in accordance with the current versions of Pharmacopoeia Ph. Eur., USP and JP	
<b>Registrations:</b>	U.S. FDA Drug Master File Number 15588 China CFDA Registration Number B20180001251	
<b>Final washing:</b>	Final washing is done with drinking water in accordance with the German Drinking Water Regulation.	
<b>Chemical Composition</b> (main components in approx. weight %):	SiO <sub>2</sub>	81 %
	B <sub>2</sub> O <sub>3</sub>	13 %
	Na <sub>2</sub> O + K <sub>2</sub> O	4 %
	Al <sub>2</sub> O <sub>3</sub>	2 %
	The heavy metal content (Pb, Cd, Hg, Cr-VI) is below 100 ppm	
<b>Chemical Resistance according DIN methods:</b>	Hydrolytic Resistance	HGA 1 (DIN ISO 720)
	Acid Class	S1 (DIN 12116)
	Alkaline Class	A2 (DIN ISO 695)
<b>Density:</b>	2.23 kg/dm <sup>3</sup>	
<b>Diameter:</b>	2.50 mm Ø	



<b>Ø-Tolerance:</b>	+/- 0.05 mm
<b>Sphericity:</b>	0.1 mm



Ovality max.  
0.1 mm

# Glass Beads for Medicinal Applications - Technical Specification



*The German spirit of quality since 1854*



## SiLibeads® Type P PHARMA

Version: 2019-12-12 V13

**Quantity per kg:** ≈ 54,800 pcs.

### Inspection Strategy:

- ① 100 % Quality Control by a permanent validated optical inspection systems in clean room class 7 (EN ISO 14644) / Grade C (GMP)
- ② Final inspection by attributes in accordance to DIN ISO 2859-1

Criteria	inspection equipment	scope of inspection	AQL
<b>Diameter: beads out of specification Tolerance</b> 2.40 - 2.50 mm	Inspector (Measuring of diameter with calibrated Micrometer)	ISO 2859-1 Special Inspection S3 AQL table 2-A, Code H Amount: 50 pcs. per Lot-Number	<b>MINOR</b> AQL = 2.5 accepted 3 beads / rejected ≥ 4 beads
<b>Wrong Beads:</b> (e.g. coloured or matt beads)	Inspector (visual final control with lighted magnifier)	ISO 2859-1 General Inspect. Level II AQL table 2-A; Code Q Amount: 1,250 pcs. per Lot-Number	<b>CRITICAL</b> AQL = 0.010 accepted 0 beads / rejected ≥ 1 bead(s)
<b>Broken beads</b> (also half beads or broken twins)			<b>CRITICAL</b> AQL = 0.010 accepted 0 beads / rejected ≥ 1 bead(s)
<b>Hair or hair like fibers</b>			<b>CRITICAL</b> AQL = 0.010 accepted 0 hair/fibres / rejected ≥ 1 hair/fibres
<b>Cosmetical defects</b> (dents, scratches, cracks, holes, cullets) <b>+ Foreign material</b> (fixed spot) on the glass bead surface <b>Size area ≥ 0.05 mm<sup>2</sup></b> (Diameter/Diagonal ≥ 0.25 mm)			<b>MAJOR</b> AQL = 0.40 accepted ≤ 10 beads / rejected ≥ 11 beads

Standard-Packaging of beads: Plastic-bags á 5 kg, packed in carton boxes

Shelf Life:	Sigmund Lindner recommends a shelf life of maximum 3 years for the glass beads.
Storage conditions:	- temperature from 2 °C to 30 °C - humidity not more than 65 % - storage in original packaging

Issued by	Released by	Effective date
Reinhold Schneider Quality Manager  12.12.2019	Michael Dressler Head of Quality / Product Manager for Pharma and Food Applications  12.12.2019	12.12.2019